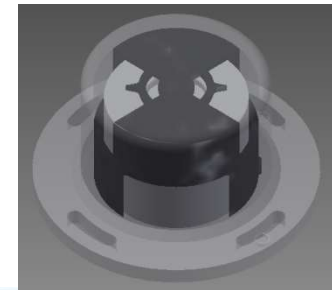
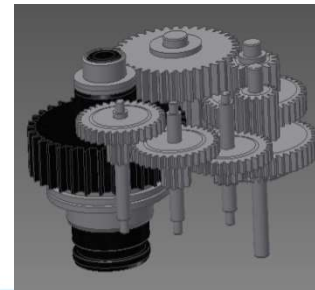


Electric Actuator HQ-005

Quarter-turn electric actuator



- *Small & Compact Design*
- *Mechanical & LED Lamp Indicator*
- *Multi-voltage Power Supply*
- *Multi-mounting Bases*
- *High Output Torque*
- *Brushless motor*



APPEARANCE & TECHNICAL DATA

■ Appearance & Performance

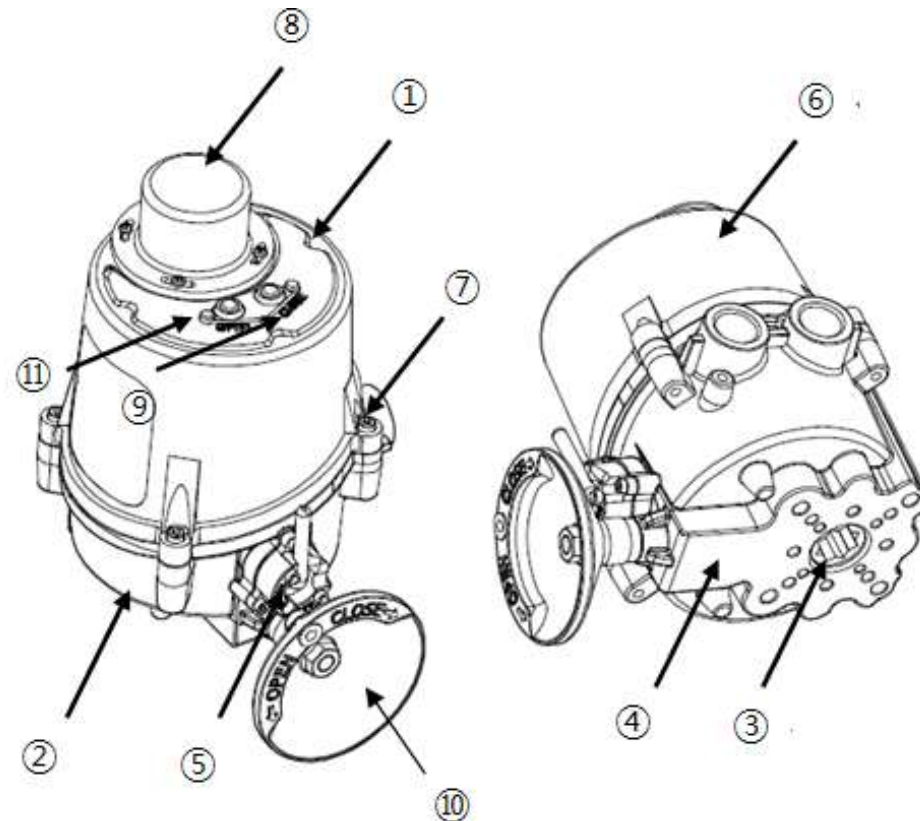


Enclosure Rated	Weatherproof IP67 (Option: IP68)
Enclosure	High grade aluminum alloy, corrosion coated
Power Supply	85~265 V AC 1 Ph 60/50Hz 24 V AC/DC
Duty Type	S4 70% / S2 30min (IEC 60034)
Motor	BLDC Motor
Limit Switches	2 x open/close SPDT, 250V AC 5A rating
Auxiliary Limit Switches	2 x open/close SPDT, 250V AC 5A rating
Indicator	Continuous position indicator & full position LED lamp
Manual Override	Manual push button & manual lever
Lubrication	Grease moly EP
Ambient Temperature	-20 °C ~ + 80 °C
External Coating	Dry powder polyester

PARTS FOR STANDARD MODELS

External Parts for Standard Modules

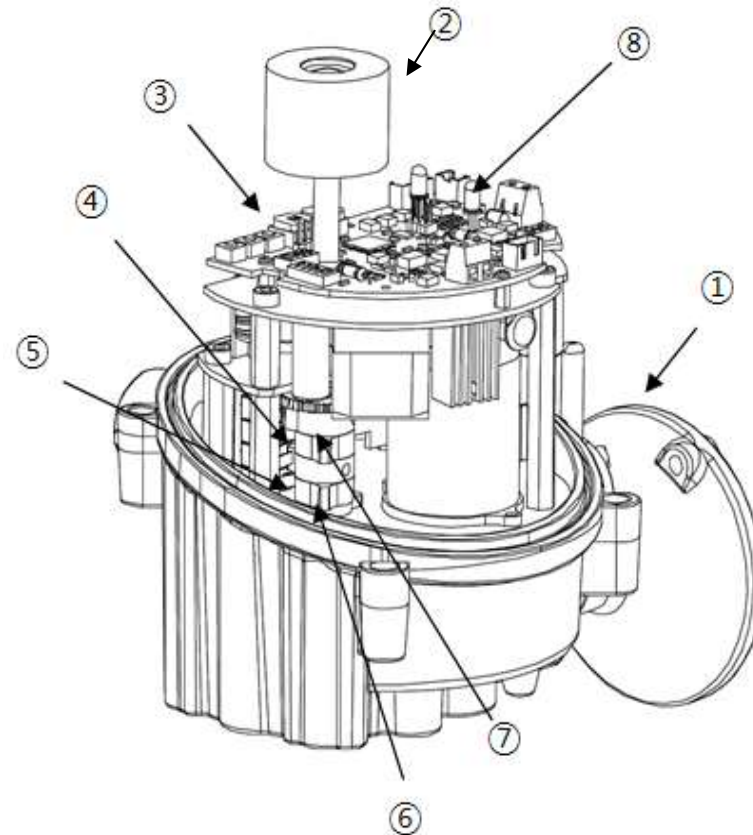
No.	PART NAME	MATERIAL
1	Top Cover	ALDC12
2	Body	ALDC12
3	Draft shaft (star 11mm)	BC
4	Mounting base (F03, F04, F05,F07)	ALDC12
5	Manual lever	-
6	Name Plate	-
7	Cover bolt (captive design)	-
8	Window	PC
9	Fully closed LED lamp (red color)	-
10	Manual hand wheel	NYLON
11	Fully open LED lamp (blue color)	-



PARTS FOR STANDARD MODELS

Internal Parts for Standard Modules

No.	PART NAME	MATERIAL
1	Lever	SUS303F
2	Indicator	ABS
3	PCB board	-
4	Additional close limit switch set	NYLON
5	Additional open limit switch set	NYLON
6	Close limit switch set	NYLON
7	Open limit switch set	NYLON
8	Fully closed LED lamp (red) Fully open LED lamp (blue)	



PERFORMANCE & OPTION

■ Performance

Type	Max. output Torque	Operating time(sec.)	Duty Cycle	Mounting Size	Power	Rated Current (A) 60/50 Hz			Weight
		60/50 Hz	IEC34-1		1 Phase	1 Phase			
	Kg.m	90°	S4 (%)	ISO 5210	AC or DC	110V	220V	24V	kg
HQ-005	5	13/13	90	F03, F04, F05, F07	85V ~ 265V AC or 24V AC/DC	0.1A	0.05A	0.8A	1.2

■ Optional Technical Data (Optional)

WTA	Watertight Enclosure (IP68 10m / 24hr)
PIU	Potentiometer Unit (0~1K Ω)
PCU	Proportional Control Unit (input, output 0~10V DC, 4~20mA DC)
CPT	Current Position Transmitter (output 4~20mA DC) , 0~10V

Proportional control unit (PCU)

- HQ PCU is a combination of electronic positioner.
- Input signal range : 4~20mA or 0~10V DC
- Output signal range : 4~20mA or 0~10V DC
- Adjustable range : zero 8mA, open 16mA
- Position conversion accuracy : 0.5~1.5%(depends on installation)

Position indication unit (Potentiometer kit, PIU)

High resolution potentiometer with precisely machined gearing directly engaged with driving shaft provides continuous monitoring of position of valve and actuator