

Air Start Valve

Model 4123C

Overview

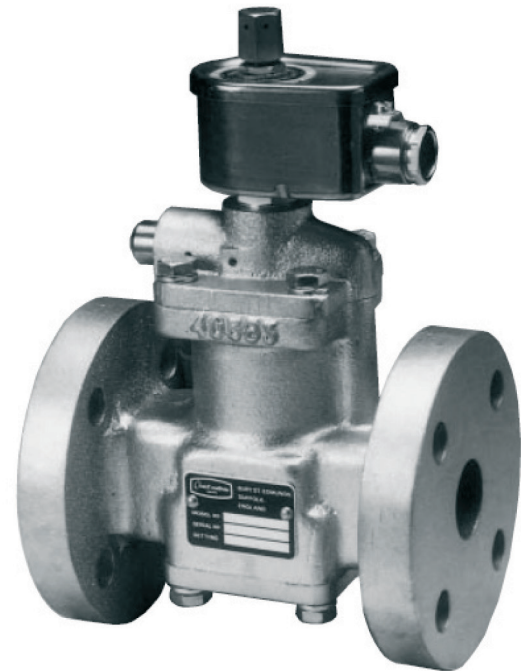
The Model 4123C is a pilot-operated control valve with instant open-close action handling high flow rate air at high pressure designed for use on diesel and gas engine air starting systems.

Typical applications

- Designed for use on diesel and gas engine air starting systems

Key benefits

- Electric, pneumatic or manual actuation - can be used in many systems
- On/off with vent action
- Flanged or screwed ports - suitable for any system
- Solenoid versions to 35 bar (500 psi) rating



**Model 4123C
Air Start Valve**

Air Start Valve - 4123C

Specification

Valve body

Material	Bronze to BS 1400 LG2	
Seals material	Nitrile rubber	
Valve flanges	DIN 2503, ND40	or ports threaded 1" NPT or BSPT
Vent port threaded	3/8" NPT or BSPT	
Minimum line pressure	3.0 bar	44 psi
Maximum line pressure	35.0 bar	500 psi
Valve Cv factor	13	
Net weight	6.5 - 7.2 kg	

Manual operator push button

Stroke	3mm (approximate)	
Maximum force required	11 kg (25 lbs)	

Air pilot operator

Minimum pilot pressure	3.0 bar	44 psi
Maximum pilot pressure	17.2 bar	250 psi
Maximum line pressure	35.0 bar	500 psi
Weatherproof	IP67	

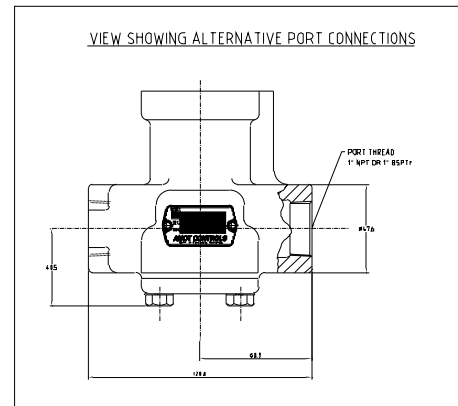
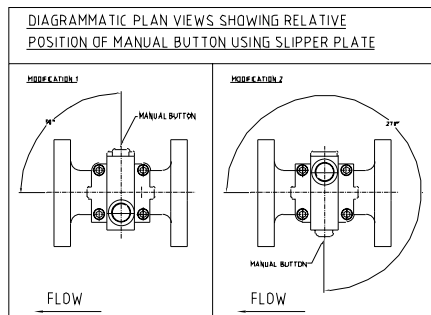
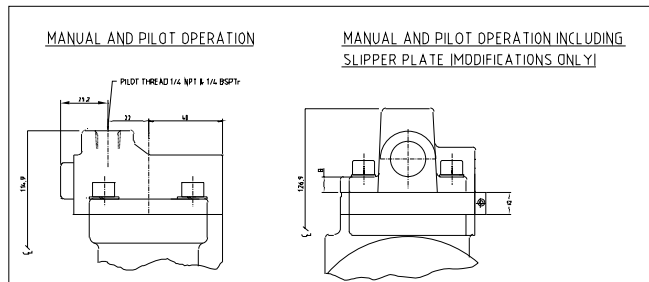
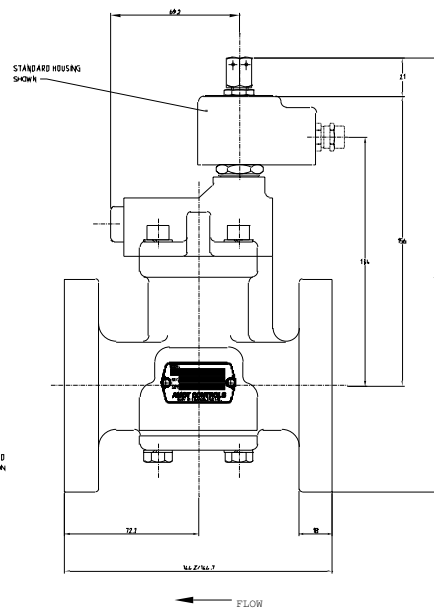
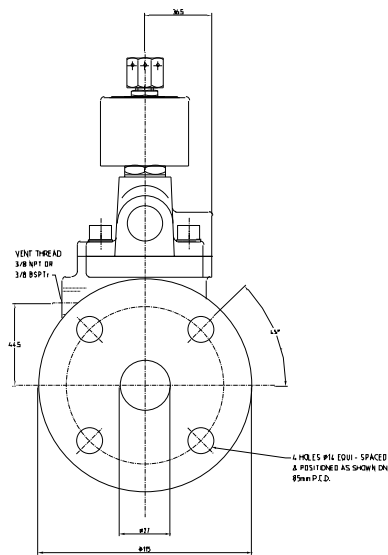
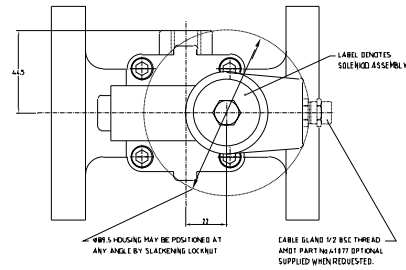
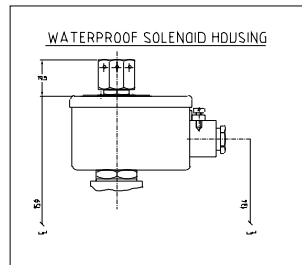
Electrical solenoid operator

Voltage	12 or 24 volts DC Continuously rated, consuming 8 Watts	110 or 220 volts AC*
Weatherproof	IP43 (standard)	IP67 (optional)
Maximum line pressure	27 bar	400 psi

* For AC voltage operation, the valve is supplied with flying leads and terminal box containing an encapsulated rectifier and terminal block.

Air Start Valve - 4123C

Dimensions



Air Start Valve - 4123C

Flow data

$$\Delta P = \left(\frac{Q}{1360 Cv} \right)^2 \left(\frac{G (T + 460)}{P_{in}} \right)$$

Pressure drop through valve can be calculated using the formula opposite.

Q = Flow-standard cubic feet per hour

P_{in} = Inlet pressure PSIA

T = Temperature in °F

G = Specific gravity of gas

How to order

Use the tables below to select the unique specification of your 4123C air start valve.

Example	4123C	1	2	1	2	N	N	AA	Comments
									Model
Basic Model	4123C								Bronze to BS 1400 LG2 body
									Type
Model type		1							Manual and air pilot
		2							Manual and electrical solenoid
									Connection
Valve line connection		1							Flanges to ND40: DIN 2503
		2							Threaded ports: 1 inch BSPT _r
									Thread
Pilot thread: vent thread			1						1/4" BSP Tr: 3/8" BSP Tr vent thread (not on solenoid version)
									NPT - non standard, please contact AMOT
									Operator
Manual operator position				0					Standard - push button over valve exit port
				1					Push button rotated 90° clockwise
				2					Push button rotated 270° (rotated push button increases valve height by 11mm)
									Special requirements
Special requirements						A			12 Volt DC : 10.8 - 13.8 VDC
						B			24 Volt DC : 21.6 - 27.6 VDC
						G			110 Volt AC : 99 - 126.5 VAC
						H			220 Volt AC : 198 - 253 VAC
						N			Without solenoid - ie. Air Pilot models (all coils are continuously rated, consuming 8 watts)
									Solenoid Housing
Solenoid housing type						A			Standard housing to IP43
						B			Waterproof housing to IP67
						N			Without housing - ie. Air pilot models
									Coil voltage
Coil voltage (solenoid operator)								AA	Standard construction - no special requirements

Americas

AMOT USA
8824 Fallbrook Dr
Houston, TX 77064
USA

Tel +1 (281) 940 1800
Fax +1 (713) 559 9419
Email customer.service@amot.com

Asia Pacific

AMOT Shanghai
Bd.7A, No. 568, Longpan Rd.,
Malu Jiading
Shanghai 201801
China

Tel +86 (0) 21 5910 4052
Fax +86 (0) 21 5237 8560
Email shanghai@amot.com

Europe, Middle East and Africa

AMOT UK
Western Way
Bury St Edmunds
Suffolk, IP33 3SZ
England

Tel +44 (0) 1284 715739
Fax +44 (0) 1284 760256
Email info@amot.com

AMOT Germany
Rondenbarg 25
22525 Hamburg
Germany

Tel +49 (0) 40 8537 1298
Fax +49 (0) 40 8537 1331
Email germany@amot.com



WARNING

This product can expose you to chemicals including Lead, which is known to the state of California to cause cancer and birth defects or other reproductive harm. For more information go to www.P65Warnings.ca.gov.