

Overview

Introducing the AMOT XT, the most advanced butterfly-style positive air shut off valve on the market. Featuring the latest technology to shut down a runaway diesel engine by choking off intake air, and when paired with the Revguard 2 speed switch and activation kit, it operates as part of a fully automatic overspeed shutdown system.

The butterfly valve most trusted by engine manufacturers

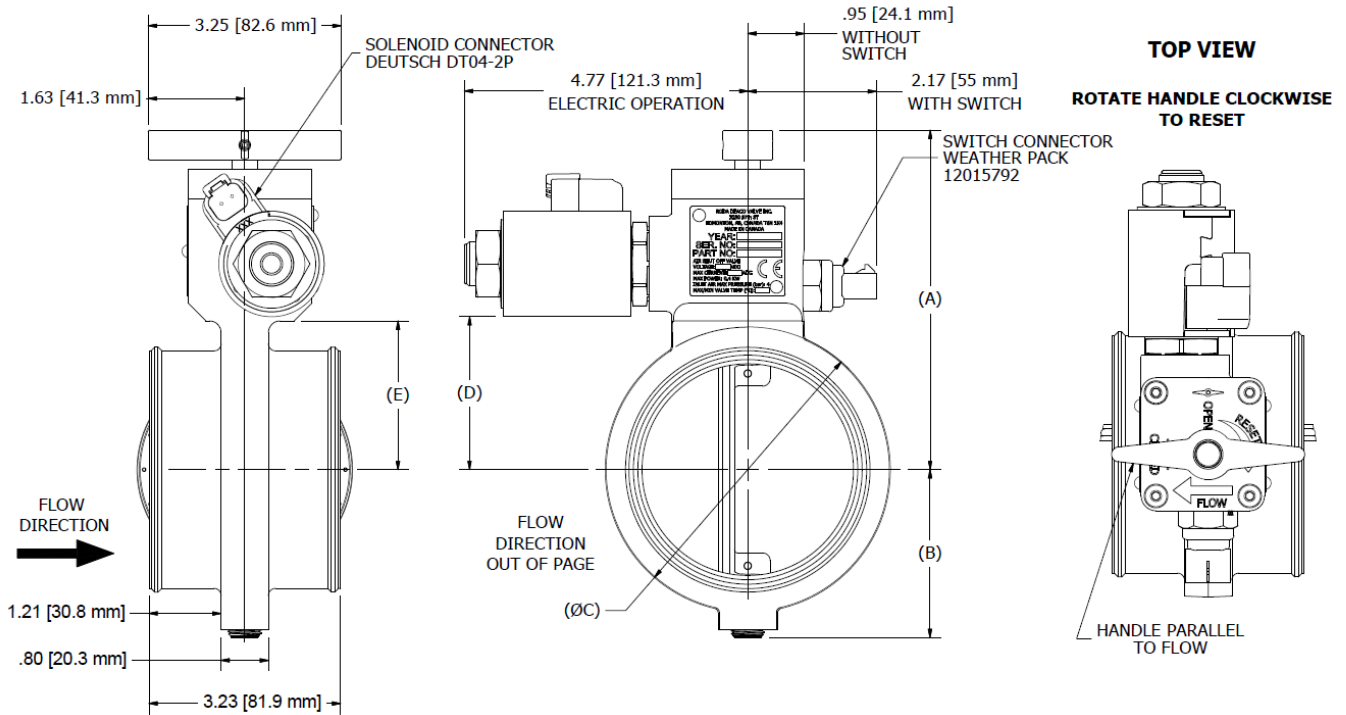
New Enhanced Features

- Temperature range of -40°C to 125°C
- Tested to rigorous engine OEM standards for:
 - resistance to shock
 - corrosion
 - vibration
 - life cycle
 - ingress protection ratings IP69K and IP67
- Optional integrated valve position switch
- Optional Manual Override
- Optional relay enclosure box (available with switch valve open)
- Field-serviceable components limit downtime



Dimensions

Side View



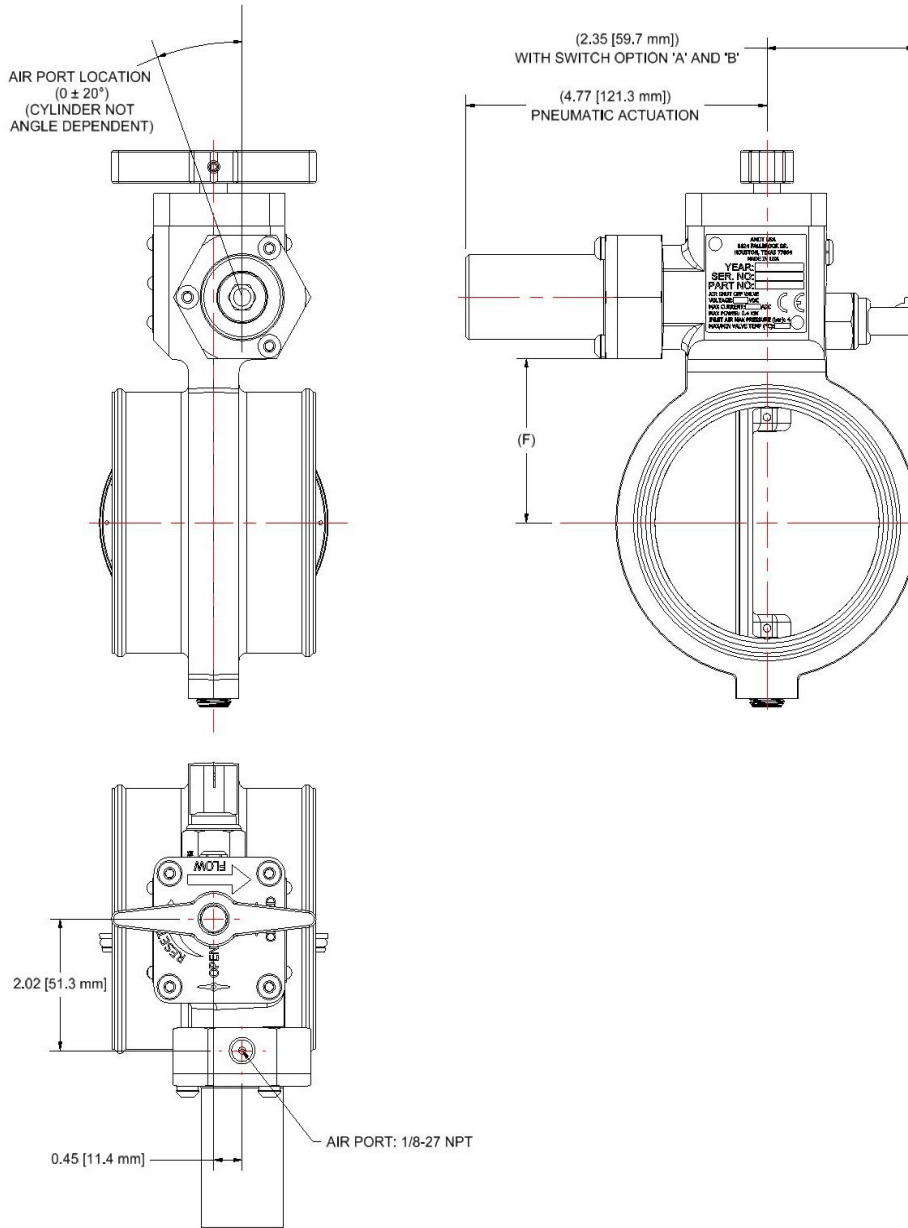
VALVE DIMENSIONS						
OD (in)	A (in)	B (in)	C (in)	D (in)	E (in)	Weight (lb)
3.5	5.46	2.58	4.30	2.32	2.25	4.0
4.0	5.71	2.83	4.80	2.57	2.50	4.1
5.0	6.21	3.33	5.80	3.07	3.00	4.5

Note: Other sizes are available. Please contact factory for more details.

VALVE DIMENSIONS						
OD (in)	A (in)	B (in)	C (in)	D (in)	E (in)	Weight (lb)
5.5	6.71	3.48	6.30	3.32	3.25	5.4
6.0	6.96	3.73	6.80	3.57	3.50	5.6
7.0	7.46	4.23	7.80	4.07	4.00	6.2
8.0	7.96	4.73	8.80	4.57	4.50	6.8

Note: Other sizes are available. Please contact factory for more details.

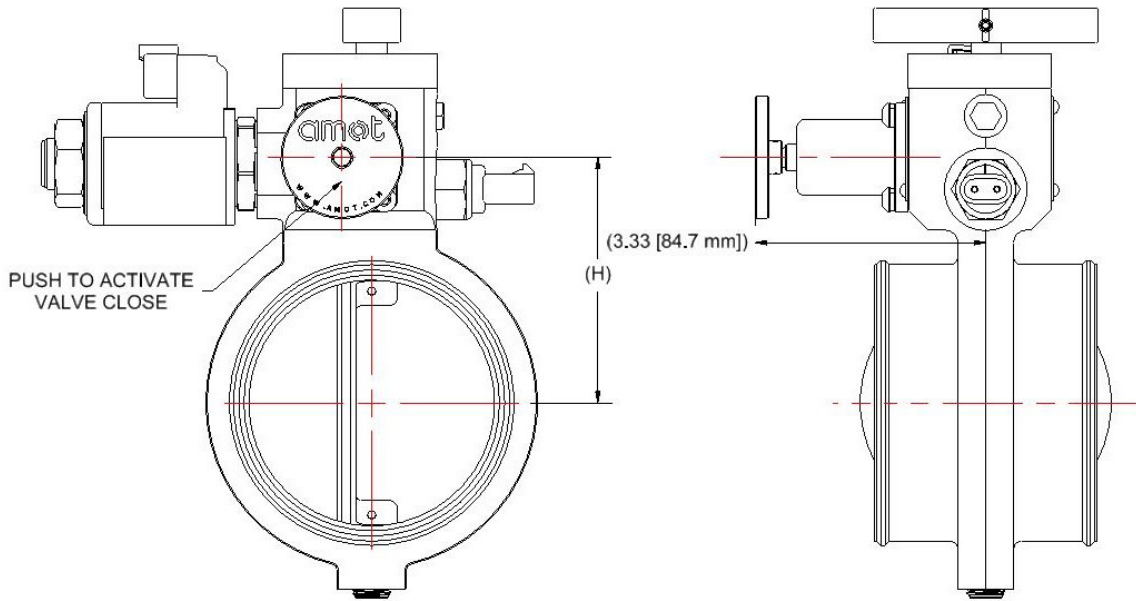
Side View - Pneumatic Actuator



VALVE DIMENSIONS	
OD (in)	F (in)
3.5	2.34
4.0	2.57
5.0	3.31

VALVE DIMENSIONS	
OD (in)	F (in)
5.5	3.34
6.0	3.57
7.0	4.07
8.0	4.57

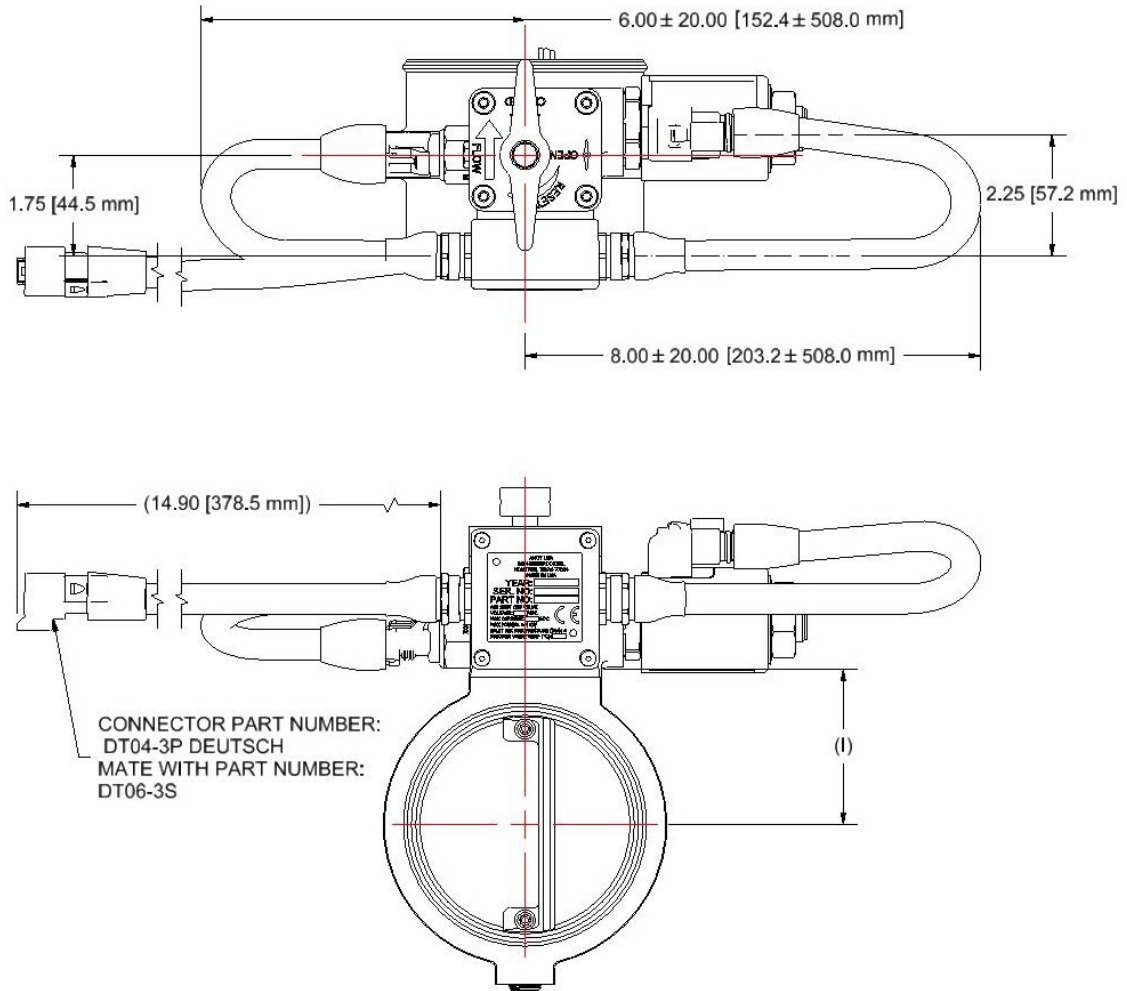
Side View - Manual Override



VALVE DIMENSIONS	
OD (in)	H (in)
3.5	3.30
4.0	3.55
5.0	4.28

VALVE DIMENSIONS	
OD (in)	H (in)
5.5	4.30
6.0	4.55
7.0	5.05
8.0	5.55

Side View - Relay Enclosure Box

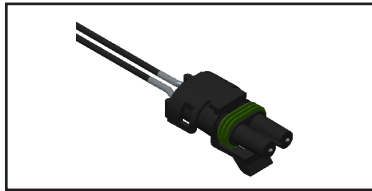


VALVE DIMENSIONS	
OD (in)	I (in)
3.5	2.63
4.0	2.88
5.0	3.60

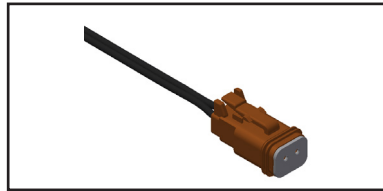
VALVE DIMENSIONS	
OD (in)	I (in)
5.5	3.63
6.0	3.87
7.0	4.38
8.0	4.88

Mating Solenoid and Switch Connectors

Included with Valve (comes with 12-inch pigtail)



XT switch connector (RKS-XT-017)



XT solenoid connector (RKS-XT-016)



Relay Box Connector (RKS-XT-035)

Specifications

Standard Materials		Valve body/disc	Anodized aluminum
		Seals	Viton
		Solenoid housing	Plated steel
Intake & Ambient Air Temp	Electric	Minimum: -40°C / maximum: 125°C (See Note 1)	
Max Charge Air Pressure		5 bar (72 psi)	
Electric Solenoid	12 VDC	26.4 Amps (max) @ 13.2 VDC / -40°C; Solenoid coil duty cycle: 60s max on/540s off (11%)	
		19.8 Amps (max) @ 13.2 VDC / 25°C; Solenoid coil duty cycle: 60s max on/540s off (11%)	
	24 VDC	13.2 Amps (max) @ 26.4 VDC / -40°C; Solenoid coil duty cycle: 60s max on/540s off (11%)	
		9.9 Amps (max) @ 26.4 VDC / 25°C; Solenoid coil duty cycle: 60s max on/540s off (11%)	
Switch Rating		4.4 Amps DC max	

Note 1: If selecting B or C switches the rating is 100°C

Product Code Definitions

Example	XT	3	5	B	2	A	3.5" OD, 24V, Low temp, No switch		
Basic model code	XT								
							mm OD	inches OD	
Valve flange size		3	5				89	3.5	
		4	0				102	4.0	
		5	0				127	5.0	
		5	5				140	5.5	
		6	0				152	6.0	
		7	0				178	7.0	
		8	0				203	8.0	
Actuator Additional Actuator Type 1- With Manual Override 2- With Relay Enclosure Box	A						Electric power to close - 12 VDC Heavy Duty		
	B						Electric power to close - 24 VDC Heavy Duty		
	C						Pneumatic Power to Closed		
	D						Electric Power to Closed - 12 VDC Standard Duty		
	E						Electric Power to Closed - 24 VDC Standard Duty		
	M						A+1		
	N						A+2		
	O						A+1+2		
	P						B+1		
	Q						B+2		
	R						B+1+2		
	S						D+1		
	T						D+2		
U						D+1+2			
V						E+1			
W						E+2			
X						E+1+2			
Temperature (Disc Seal)	1						Normal (-20°C to +125°C) not available on 5" and larger		
	2						Low temp (-40°C to +125°C)		
Switch type	A						No switch		
	B						Valve open = switch open (100°C max)		
	C						Valve open = switch closed (100°C max)		
	D						Valve open = switch open (heavy duty) available on 6", 7", 8"		
	E						Valve open = switch closed (heavy duty) available on 6", 7", 8"		

Note: Switch E option has 33 kΩ internal shunt resistor.

Service Schedule

Valve servicing should be conducted according to the maintenance schedule in the table below. However, frequency of part replacement may vary depending on environmental and operational factors. Contact customer service for specific kit ordering information.

Engine Hours on Valve	Switch	Actuation	Replace Valve
10,000	✓	✓	
20,000			✓

Testing Schedule

Regular operation testing should be performed on the valve to ensure it is in proper working order for emergency situations. AMOT recommends testing in weekly intervals.

Service Kits

Part No.	Description
A RKS-XT-001	Heavy Duty Solenoid, 12V
B RKS-XT-002	Heavy Duty Solenoid, 24V
C RKS-XT-036	Standard Solenoid, 12V
D RKS-XT-037	Standard Solenoid, 24V
C RKS-XT-006	'B' Switch - Valve Open, Switch Open
D RKS-XT-007	'C' Switch - Valve Open, Switch Closed
E RKS-XT-016	Assy, Connector for Solenoid, XT
F RKS-XT-017	Assy, Connector for Switch, XT
G RKS-XT-018	12V Coil Kit
H RKS-XT-019	24V Coil Kit
J RKS-XT-024	'D' Switch - Valve Open, Switch Open -HD
K RKS-XT-025	'E' Switch - Valve Open, Switch Closed -HD
L RKS-XT-035	Wire Harness of Enclosure Box Custom Side
M RKS-XT-036	Wire Harness of Enclosure Box Solenoid
N RKS-XT-037	Wire Harness of Enclosure Box Switch
O RKS-XT-038	Manual Override Service Kit

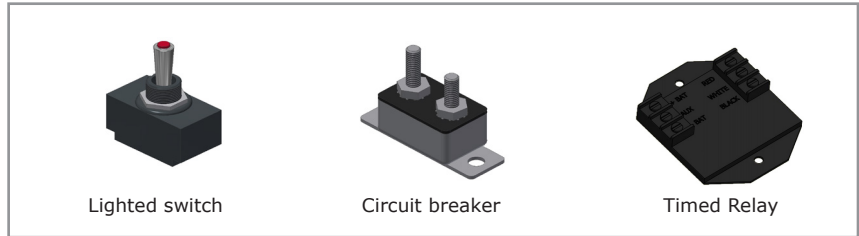
Accessories for Fully Automatic Systems

Activation Kits	
Part No.	Description
1520-001	Revguard 2 speed switch kit
AK2-E1-RM	Electric activation kit for 12V valve
AK2-E2-RM	Electric activation kit for 24V valve

Hose and Clamp Kits	
Part No.	Description
IK-3500H-01	Hose and clamp kit for 3.5 in (89 mm)
IK-4000H-01	Hose and clamp kit for 4.0 in (102 mm)
IK-5000H-01	Hose and clamp kit for 5.0 in (127 mm)
IK-5500H-01	Hose and clamp kit for 5.5 in (140 mm)
IK-6000H-01	Hose and clamp kit for 6.0 in (152 mm)
IK-7000H-01	Hose and clamp kit for 7.0 in (178 mm)



Revguard speed switch (1520-001)



Activation kit components



Hose and clamp kit (IK-3500H-01)

⚠ WARNING

These products can expose you to chemicals including carbon black (airborne and extracts), antimony trioxide, titanium dioxide, silica (crystalline), di(2-ethylhexyl)phthalate, ethylene thiourea, acrylonitrile, 1,3-butadiene, epichlorohydrin, toluenediisocyanate, tetrafluoroethylene, ethylbenzene, formaldehyde, furfuryl alcohol, glass fibers, methyl isobutyl ketone, nickel (metallic and compounds), lead and lead compounds which are known to the state of California to cause cancer; and 1,3 butadiene, epichlorohydrin, di(2-ethylhexyl)phthalate, di-isodecyl phthalate, ethylene thiourea, methyl isobutyl ketone, toluene, lead and lead components which are known to the state of California to cause birth defects and other reproductive harm. For more information go to www.P65Warnings.ca.gov.

Americas

AMOT - USA

8824 Fallbrook Dr
Houston, TX 77064
USA

Tel: +1 (281) 940 1800
Fax: +1 (713) 559 9419
Email: sales.houston@amot.com

AMOT - CANADA

4320 Roper Rd NW
Edmonton, Alberta T6B 3T8
Canada

Tel: +1 (780) 465 4429
Fax: +1 (780) 469 6275
Email: sales.houston@amot.com

Asia Pacific

AMOT - CHINA

Bd. 7A, No. 568, Longpan Rd.
Malu Jiading, Shanghai 201801
China

Tel: +86 (0) 21 5910 4052
Fax: +86 (0) 21 5237 8560
Email: shanghai@amot.com

Europe, Middle East, Africa

AMOT - EMEA

Western Way
Bury St Edmunds
Suffolk IP33 3SZ

Tel: +44 (0) 1284 762222
Fax: +44 (0) 1284 760256
Email: sales@amot.com

www.amot.com